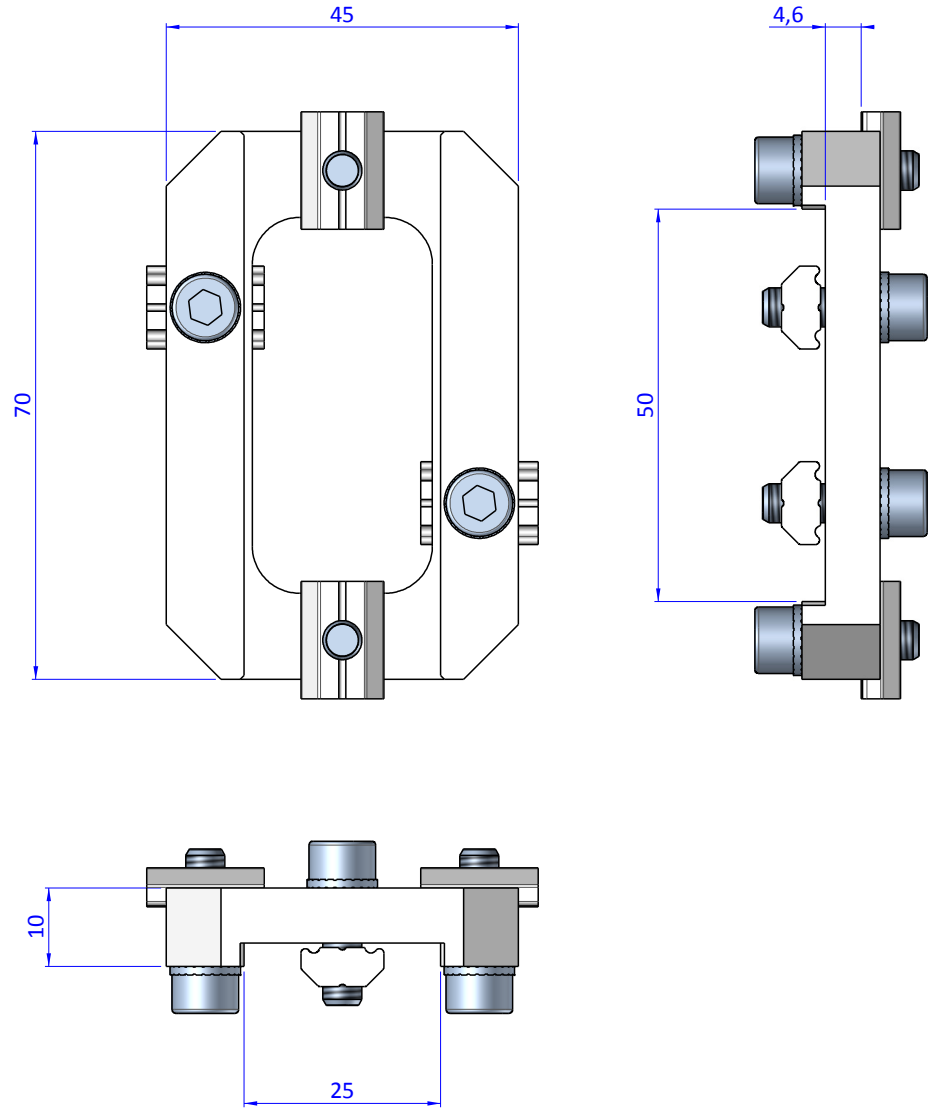
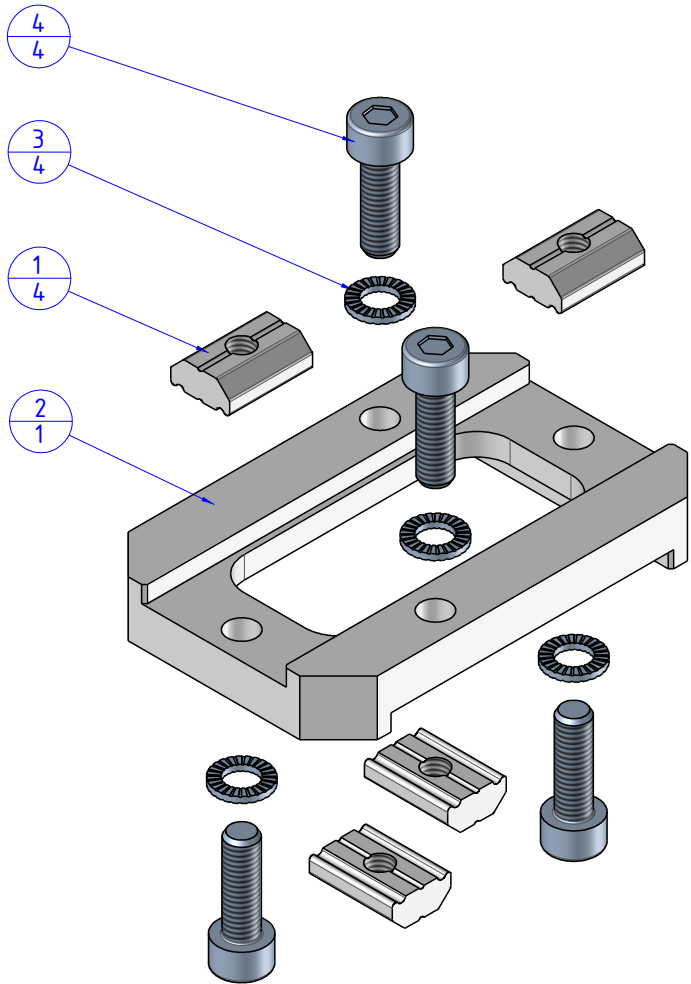


THE PROPERTY OF THE DRAWING IS ESTABLISHED BY LAW. IT IS FORBIDDEN TO PRODUCE OR SHOW IT TO THIRD PARTY, WITHOUT A WRITTEN AGREEMENT.

Item	Name	Q. ty
1	CA.GWP.5U	4
2	KPLX.5025	1
3	R.5.SCH	4
4	V.TCE5x16	4



Format A3

UNI 936-76

		DESIGNED FROM	REVIEW
		FP SERVICES	A
		DATE	WEIGHT
		30/04/2016	0,076kg
GENERAL TOLERANCE UNI - ISO 2768 CLASSE F		DESCRIPTION CA.KPLX.5025	
		CODE CA.KPLX.5025	